

ETATRACK active H1500

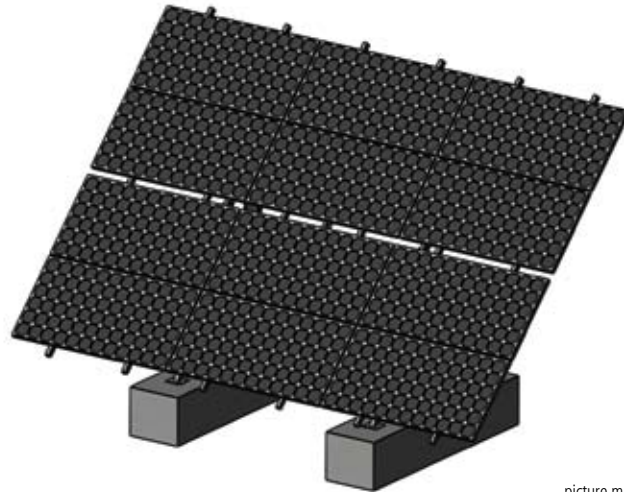
Horizontal Single-axis Tracking System for PV Modules

Characteristics

- total module surface up to c. 15.5 m²
- no failure-prone light sensor
- no unnecessary tracking movements
- low power consumption (c. 1 kWh/year)
- statics according to German and European standards
- high reliability and life-expectancy
- excellent serviceability
- cost-efficient tracking system

Application

- single-axis tracking system for PV modules*
- additional energy yield of up to 40 % compared to fixed installations



picture may differ from actual product

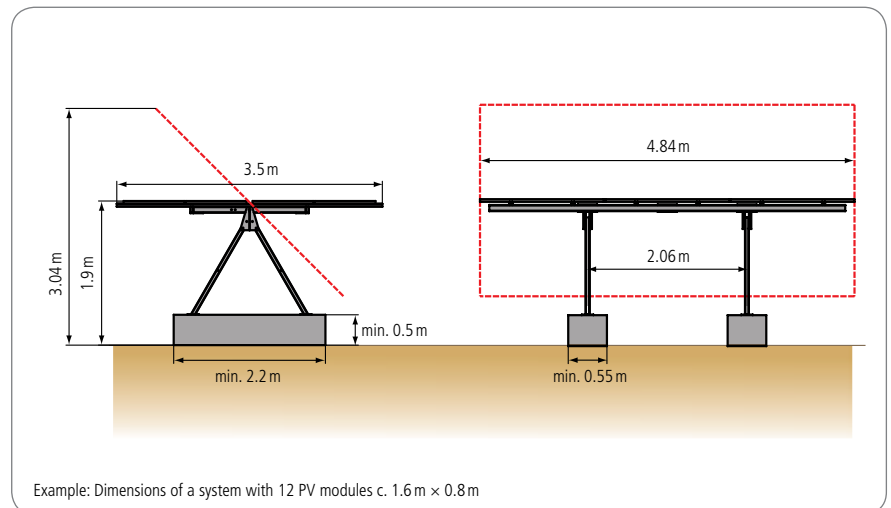
Design

Tracking Unit

- single-axis tracking system
- angle of second axis 0°, horizontal alignment
- elevation East-West: 90°
- module surface up to c. 15.5 m²
max. dimensions of mounted frames (supportive area, installation area PV modules): width: 3.5 m, height: 4.6 m, up to three rows in North-South direction, PV modules installed in upright position
- H-frame and poles: steel, hot-dip Zn-coated
- screw set: steel, Zn-coated
- module clamps made of stainless steel for mounting the PV modules using the holes in the mounting frame, incl. M6 stainless steel screw kits
- suitable for high wind speeds: statics according to German and European standards
- suitable for ground level installation
- low energy consumption c. 1 kWh/year
- maintenance-free

Control

- electronics incl. battery in plastic housing
- supply voltage: 12VDC (nominal voltage) up to 50Voc (open-circuit voltage), by one of the tracked modules**
- stepwise tracking, depending on the daily sunshine duration (length of day)
- South position in darkness
- synchronisation of multiple units possible
- standby mode in periods of low irradiation***



Example: Dimensions of a system with 12 PV modules c. 1.6 m × 0.8 m

Drive

- DC linear drive
- maintenance-free

Foundation

- concrete foundations with steel reinforcement min. 1 m³

Storage and Operating Conditions

- only suitable for ground level installation only
- ambient temperature range: -25 °C to +50 °C
- daily average ambient humidity: max. 80 %
- air salinity: max. 2 µg/m³, or distance from coast: min. 1 km
- altitude: -400 m to +3,000 m MSL
- for detailed description of ambient conditions for safe operation, cf. installation manual
- designs for other conditions on request

Included in Delivery

- kit tracking unit
- control
- drive
- module clamps (cf. design): 48 sets per tracking units for 12 PV modules
- fixation for optional PV module (5 or 10Wp)
- installation manual

* for framed PV modules according to IEC 61215, UL 1703

** for safe operation in specific system designs, an additional PV module (5 or 10Wp) might be necessary, cf. installation manual

*** for safe operation, cf. installation manual

To find out more visit www.lorentz.de

BERNT LORENTZ GmbH & Co. KG

Kroegerskoppel 7, 24558 Henstedt-Ulzburg, Germany

Tel. +49 (0) 4193 7548 -0, Fax - 29, www.lorentz.de

Errors excepted and possible alterations without prior notice.

Sun. Water. Life.