

# ETATRACK active 1500-A

## Single-axis Tracking System for PV Modules

### Characteristics

- total module surface up to c. 16.5 m<sup>2</sup>
- no failure-prone light sensor
- no unnecessary tracking movements
- low power consumption (c. 1.5 kWh/year)
- statics according to German and European standards
- high reliability and life-expectancy
- excellent serviceability
- cost-efficient tracking system

### Application

- single-axis tracking system for PV modules\*
- additional energy yield of up to 40 % compared to fixed installations



picture may differ from actual product

### Design

#### Tracking Unit

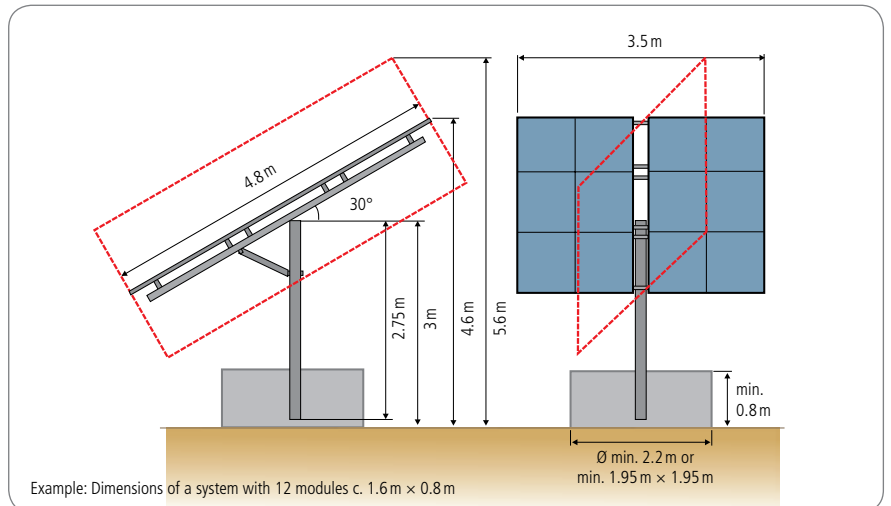
- single-axis tracking system
- angle of second axis adjustable 0–45° in steps of 5°
- elevation East-West: 90°
- module surface up to c. 16.5 m<sup>2</sup>  
max. dimensions of mounted frames (supportive area, installation area PV modules): width: 3.5 m, height: 4.4 m, up to three rows of PV modules in upright position
- frame and supports: steel, hot-dip Zn-coated
- screw set: steel, Zn-coated
- module clamps made of stainless steel for mounting the PV modules using the holes in the module frame, incl. M6 stainless steel screw kits
- suitable for high wind speeds: statics according to German and European standards
- suitable for ground level installation
- low energy consumption c. 1.5 kWh/year
- maintenance-free

#### Control

- electronics incl. battery in plastic housing
- supply voltage: 12V DC (nominal voltage) up to 50V<sub>oc</sub> (open-circuit voltage), by one of the tracked modules\*\*
- stepwise tracking, depending on the daily sunshine duration (length of day)
- South position in darkness
- synchronisation of multiple units possible
- standby mode in periods of low irradiation\*\*\*

#### Drive

- DC linear drive
- maintenance-free



Example: Dimensions of a system with 12 modules c. 1.6 m x 0.8 m

#### Foundation

- concrete foundation with steel reinforcement  
min. 3 m<sup>3</sup>

#### Storage and Operating Conditions

- ambient temperature range: –25 °C to +50 °C
- daily average ambient humidity: max. 80 %
- air salinity: max. 2 µg/m<sup>3</sup>, or distance from coast: min. 1 km
- altitude: –400 m to +3,000 m MSL
- for detailed description of ambient conditions for safe operation, cf. installation manual
- designs for other conditions on request

#### Included in Delivery

- kit tracking unit
- module clamps (cf. design): 48 sets per tracking unit for 12 PV modules
- fixation for optional PV module (5 or 10Wp)\*\*
- control
- drive
- installation manual
- optional: mounting clamps (J-clips), 36 sets per tracking unit for mounting the PV modules with middle and end clamps

\* for framed PV modules according to IEC 61215, UL 1703

\*\* for safe operation in specific system designs, an additional PV module (5 or 10Wp) might be necessary, cf. installation manual

\*\*\* for safe operation, cf. installation manual

To find out more visit [www.lorentz.de](http://www.lorentz.de)

BERNT LORENTZ GmbH & Co. KG

Kroegerskoppel 7, 24558 Henstedt-Ulzburg, Germany

Tel. +49 (0) 4193 7548 - 0, Fax - 29, [www.lorentz.de](http://www.lorentz.de)

Errors excepted and possible alterations without prior notice.

**Sun. Water. Life.**